

PAP79-011

PENDANT LUMINAIRE - LED 46W 6000K



**LIGHTING &
EQUIPMENT**
PUBLIC COMPANY LIMITED

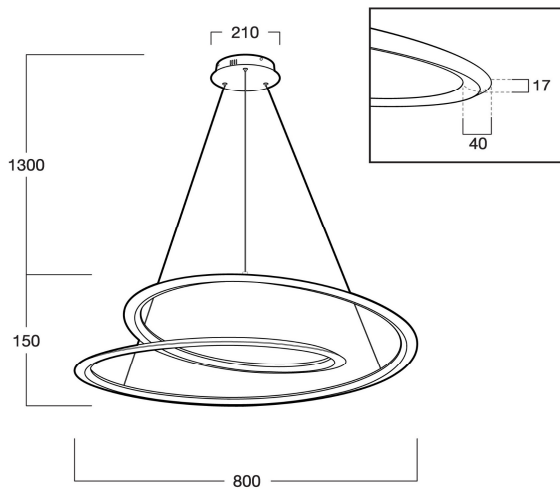


APPLICATIONS

- * RECREATIONAL CENTERS, HOTELS
- * RESTAURANTS
- * RESIDENTIALS
- * OTHER INDOOR APPLICATIONS WHERE
PENDANT LUMINAIRE IS REQUIRED

SPECIFICATION FEATURES

- * LAMP : LED 46W
- * SIZE : dia 800 x H1400 mm (include sling length)
- * COLOR TEMPERATURE : 6000K
- * LED DRIVER : MW#LRS-75-24/75W/3.2A/24V
- * MATERIAL : Aluminium Body, Acrylic cover
in Gold color
- * WEIGHT : 5.40 kgs



ORDERING DATA

CATALOG NO.	COLOR	LAMP TYPE	REMARKS
PAP79-011 /LED46W	Gold	LED	