

PSC60-151

PENDANT LUMINAIRE - LED35W 3000K



LIGHTING &
EQUIPMENT
PUBLIC COMPANY LIMITED

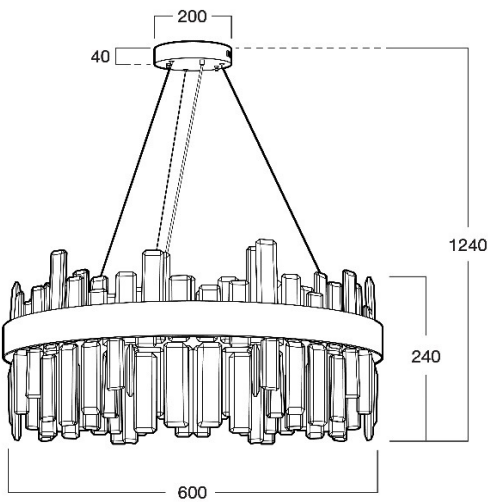


APPLICATIONS

- * RECREATIONAL CENTERS, HOTELS
- * RESTAURANTS
- * RESIDENTIALS
- * OTHER INDOOR APPLICATIONS WHERE PENDANT LUMINAIRE IS REQUIRED

SPECIFICATION FEATURES

- * LAMP : LED 35W 3000K
- * SOCKET : N/A
- * SIZE : Dia 600 x 240 mm (w/o Sling Length)
- * MATERIAL : Metal in Gold Color, Crystal Glass
- * WEIGHT : 17 Kgs



ORDERING DATA

CATALOG NO.	COLOR	LAMP TYPE	REMARKS
PSC60-151/LED35W	GOLD		