

# PAP120-031

PENDANT LUMINAIRE - LED 82W 3000K



**LIGHTING &  
EQUIPMENT**  
PUBLIC COMPANY LIMITED

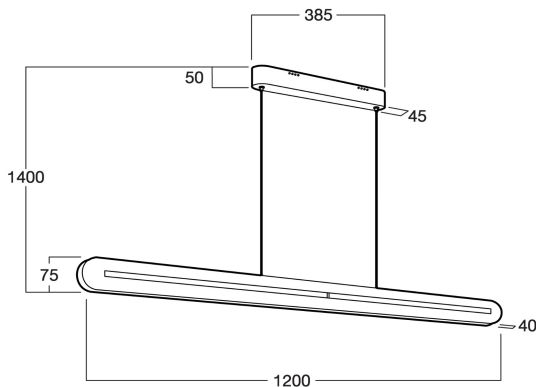


## APPLICATIONS

- \* RECREATIONAL CENTERS, HOTELS
- \* RESTAURANTS
- \* RESIDENTIALS
- \* OTHER INDOOR APPLICATIONS WHERE  
PENDANT LUMINAIRE IS REQUIRED

## SPECIFICATION FEATURES

- \* LAMP : LED 82W
- \* SIZE : W1200 x 45 x 1400 mm (include sling length)
- \* COLOR TEMPERATURE : 3000K
- \* MATERIAL : Aluminium Body in Brushed Coffee color  
and Acrylic
- \* Control Up and Down Light by on/off switch
- \* WEIGHT : 4 Kgs



## ORDERING DATA

CATALOG NO.	COLOR	LAMP TYPE	REMARKS
PAP120-031/LED82W	BRUSHED COFFEE	LED	