

PWP90-011

PENDANT LUMINAIRE - LED16W 3000K

LUMAX

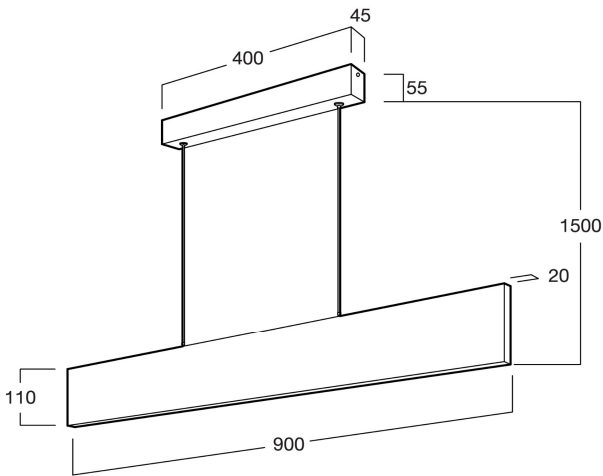


APPLICATIONS

- * RECREATIONAL CENTERS, HOTELS
- * RESTAURANTS
- * RESIDENTIALS
- * OTHER INDOOR APPLICATIONS WHERE PENDANT LUMINAIRE IS REQUIRED

SPECIFICATION FEATURES

- * LAMP : LED 16W (4W + 12W)
- * SOCKET : N/A
- * SIZE : W900 x 45 x H110 mm (w/o Sling Length)
- * MATERIAL : Wood, Metal and Acrylic
- * Adjustable Sling Length, Up and Down Light
- * WEIGHT : 2.70 Kgs



ORDERING DATA

CATALOG NO.	COLOR	LAMP TYPE	REMARKS
PWP90-011/LED16W	DEEP WOOD Color		