

PSA40-061/BR

PENDANT LUMINAIRE - P SHAPE LAMP E27x1



LIGHTING &
EQUIPMENT
PUBLIC COMPANY LIMITED

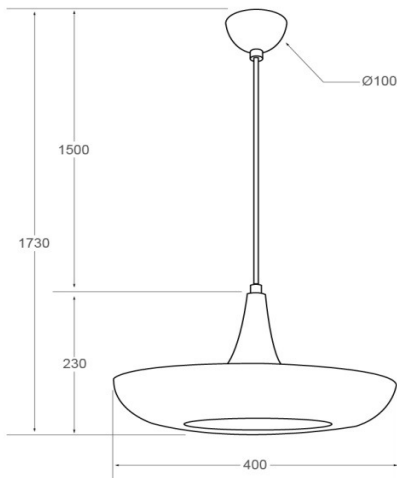


APPLICATIONS

- * RECREATIONAL CENTERS, HOTELS
- * RESTAURANTS
- * RESIDENTIALS
- * OTHER INDOOR APPLICATIONS WHERE
PENDANT LUMINAIRE IS REQUIRED

SPECIFICATION FEATURES

- * LAMP : P Shape Lamp 40W, LED 3W
- * SOCKET : E27x1
- * SIZE : Dia 400 x 230 mm (w/o Cable Length)
- * MATERIAL : Painted Aluminum Body



ORDERING DATA

CATALOG NO.	COLOR	LAMP TYPE	REMARKS
PSA40-061/BR/E27x1	BROWN	P SHAPE 40W	