

# TMS28-021/R

## TABLE LUMINAIRE - E27x1



**LIGHTING & EQUIPMENT**  
PUBLIC COMPANY LIMITED

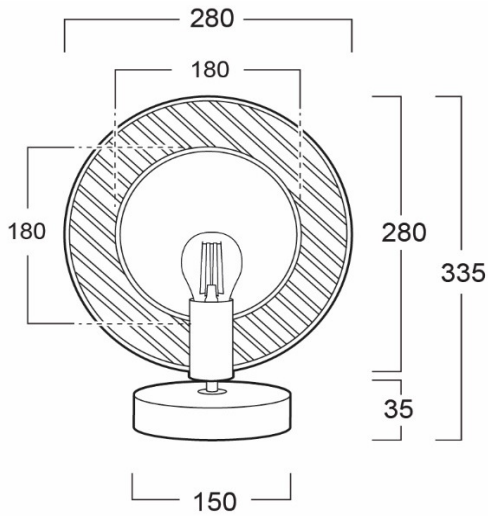


### APPLICATIONS

- \* RECREATIONAL CENTERS, HOTELS
- \* RESTAURANTS
- \* RESIDENTIALS
- \* OTHER INDOOR APPLICATIONS WHERE TABLE LUMINAIRE IS REQUIRED

### SPECIFICATION FEATURES

- \* LAMP : LED 9W
- \* SOCKET : E27 x 1
- \* SIZE : **W280 x 150 x 335** mm
- \* Material : White Marble Base  
with Painted Metal Shade in Black color



### ORDERING DATA

CATALOG NO.	COLOR	LAMP TYPE	REMARKS
TMS28-021/R /E27	BLACK		