

LED Surface Square/Multi Downlight



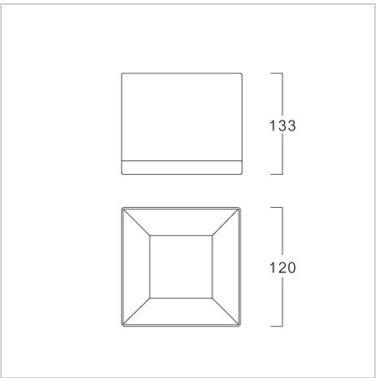
TIS SSDL120

Application

Surface downlight is designed to use for office buildings, shopping centers, convenience stores, modern trade stores, discount stores, hotels, restaurants, residences, recreational centers, museums, etc.

Specification

Housing	Die-formed aluminium
Finishing	Powder Coated in white or black
Mounting	Surface/Pendant
Power	8/14W
Source	LED-COB
Lamp Colour	3000/4000/5000K
Lamp Output	8W : 900/970/1040 lm 14W : 1540/1660/1805 lm
Luminaire Output	8W : 738/805/864 lm 14W : 1267/1368/1482 lm
Beam Angle	40 degree
Control Gear	Built-in driver
Power Supply	220VAC 50Hz
Power Factor	> 0.9
Insulation Class	I
IP Rating	20
Luminaire Lifetime	35,000 hrs.
Equivalent	8W : PAR30 50W 14W : PAR30 75W



Ordering Data

Model	Watt
SSDL120/WH-8LED	8W
SSDL120/WH-14LED	14W

Related Products

