

LED Surface Downlight

LUMAX

 TIS SPL160

Application

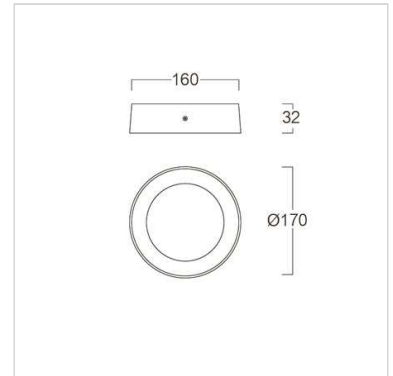
Surface downlight is designed to use for office buildings, shopping centers, convenience stores, modern trade stores, discount stores, hotels, restaurants, residences, recreational centers, museums, etc.

Specification

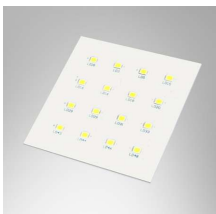
Housing	Aluminium body
Finishing	Powder coated in white
Mounting	Surface
Power	12W
Light Source	LED MODULE
Colour Temperature	3000/6500K
Lamp Output	880 lm
Control Gear	Built-in driver
Power Supply	220V 50Hz
Luminaire Lifetime	30,000 hrs.
Equivalent	CFL 14-18W

Ordering Data

Model	Watt
SPL160/WH-12LED/3K-XXMD	12W
SPL160/WH-12LED/6.5K-XXMD	12W



Related Products



LED MODULE