

LED Spot / Tracklight



TIS TRM84

Application

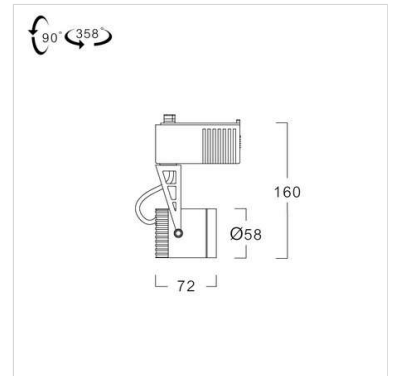
Track light is designed to use for office buildings, shopping centers, convenience stores, modern trade stores, discount stores, hotels, restaurants, residences, museums, recreational centers, etc.

Specification

Housing	Die-cast aluminium
Finishing	Powder Coated in white
Mounting	1 phase lighting track (LTS01/LTR01)
Power	4-8W
Light Source	LED-MR16
Lamp Holder	GX5.3
Colour Temperature	2700-6500K
Lamp Output	6W : 2700/3000/4000/6500K : 550 lm 7W : 2700K : 550 lm 7W : 3000K : 600 lm
Control Gear	Built-in electronic transformer
Power Supply	220-240VAC, 50Hz
IP Rating	20
LED Lifetime	6W : 15,000 hrs. 7W : 25,000 hrs.
Equivalent	MR16 35 - 50W

Ordering Data

Model	Watt
TRM84/BK-XXLED-MR16	4-8W
TRM84/WH-XXLED-MR16	4-8W



Related Products



TRM84/BK

SAM84-LED MR16

