

# LED Spot / Tracklight



TIS TRL70

## Application

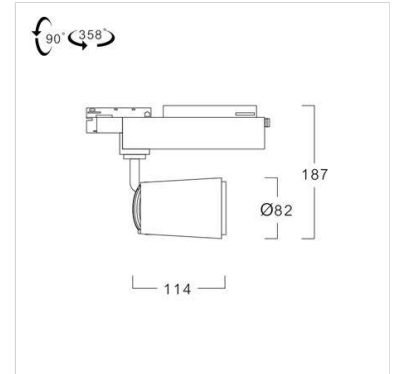
Track light is designed to use for office buildings, shopping centers, convenience stores, modern trade stores, discount stores, hotels, restaurants, residences, museums, recreational centers, etc.

## Specification

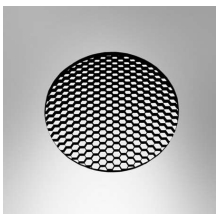
<b>Housing</b>	Die-cast aluminium
<b>Finishing</b>	Powder coated in white or black
<b>Mounting</b>	1 circuit lighting track (LTS01/LTR01)
<b>Power</b>	14/20W
<b>Light Source</b>	LED-COB
<b>Colour Temperature</b>	3000/4000/5000K
<b>Lamp Output</b>	14W : 1540/1660/1805 lm 20W : 2200/2370/2575 lm
<b>Beam Angle</b>	15/24/36 Degree
<b>Control Gear</b>	Built-in driver
<b>Power Supply</b>	220-240VAC, 50Hz
<b>Power Factor</b>	>0.9
<b>Insulation Class</b>	II
<b>IP Rating</b>	20
<b>LED Lifetime</b>	40,000 hrs.
<b>Equivalent</b>	14W : PAR30 75W 20W : MH 20W

## Ordering Data

Model	Watt
TRL70/WH-14LED	14W
TRL70/WH-20LED	20W



## Related Products



Honey comb