

LED Lamp

TIS LED-T8/PREMIUM

Application

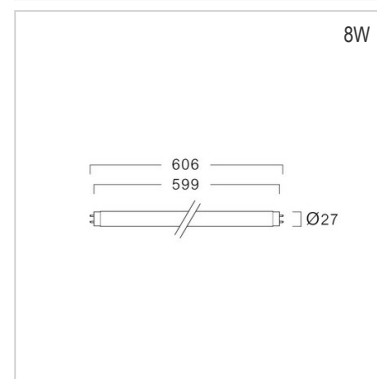
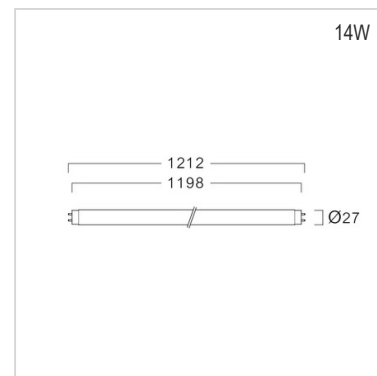
This LED lamp is designed to replace conventional lamp which is safe cost and save energy depending on each lamp types. There is no UV, long life time, etc.

Specification

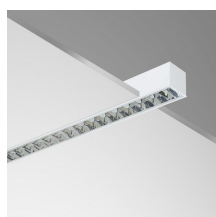
Housing	High quality plastic
Description	Energy saving up to 85% No UV Non-dimmable
Power	8/14W, Pf >0.9, CRI >80 and THDi <10%
Source	LED-SMD
Lamp Colour	830/840/865
Lamp Output	1050lm/2100 lm
Beam Angle	> 160 degree
Control Gear	Built-in driver
Power Supply	220VAC
LED Lifetime	50,000 hrs.
Equivalent	T8:18/36W

Ordering Data

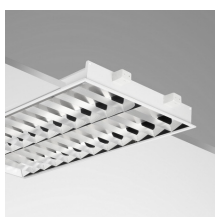
Model	Watt
L&E#Premium LED-T8-1050LM/840/8W/OT/DE	8W
L&E#Premium LED-T8-1050LM/865/8W/OT/DE	8W
L&E#Premium LED-T8-2100LM/830/14W/OT/DE	14W
L&E#Premium LED-T8-2100LM/840/14W/OT/DE	14W
L&E#Premium LED-T8-2100LM/865/14W/OT/DE	14W



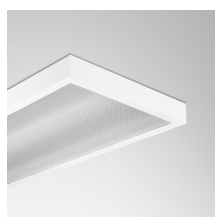
Related Products



Recessed Luminaire



Recessed Luminaire



Surface Luminaire



Pendant Luminaire