

# LED Lamp

TIS LED-MR16

## Application

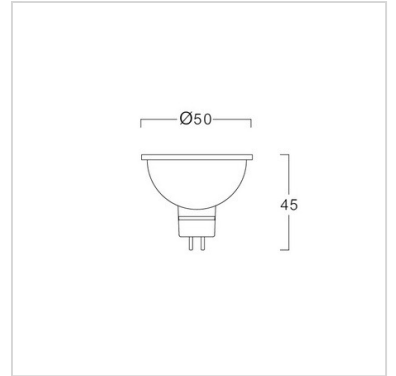
This lamp is designed to replace MR16 halogen lamp for energy saving, long life time and low maintenance cost

## Specification

<b>Housing</b>	Plastic with inside aluminium
<b>Description</b>	Non-dimmable Do not use in enclosed fixture
<b>Body Colour</b>	White
<b>Power</b>	6W
<b>Light Source</b>	LED-SMD
<b>Colour Temperature</b>	2700/3000/4000/6500K - CRI 80
<b>Lamp Output</b>	550 lm
<b>Beam Angle</b>	36/60degree
<b>Control Gear</b>	Separated transformer
<b>Power Supply</b>	12V AC/DC
<b>LED Lifetime</b>	15,000 hrs.
<b>Equivalent</b>	MR16 35/50W

## Ordering Data

Model	Watt
L&E#LED-MR16-550LM/827/6W/GU5.3/36D	6W
L&E#LED-MR16-550LM/830/6W/GU5.3/36D	6W
L&E#LED-MR16-550LM/830/6W/GU5.3/60D	6W
L&E#LED-MR16-550LM/840/6W/GU5.3/36D	6W
L&E#LED-MR16-550LM/840/6W/GU5.3/60D	6W
L&E#LED-MR16-550LM/865/6W/GU5.3/36D	6W



## Related Products

