

# LED Lamp

## TIS LED-T8/INVESTMENT

### Application

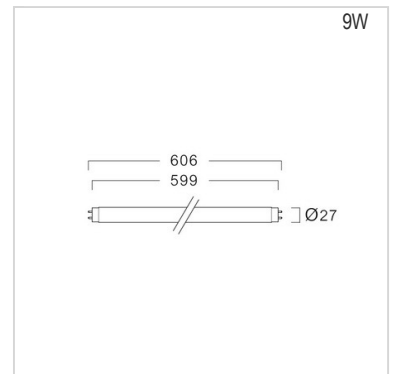
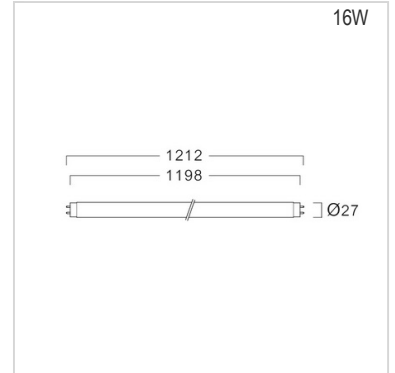
This LED lamp is designed to replace conventional lamp which is safe cost and save energy depending on each lamp types. There is no UV, long lifetime, etc.

### Specification

<b>Housing</b>	High quality plastic For 16W Glass Tube For 7W and 14W
<b>Description</b>	Energy saving up to 85% No UV Non-dimmable 7/14/16W, Pf >0.9, CRI >80 and THDi <20%
<b>Power</b>	LED-SMD
<b>Light Source</b>	840/865
<b>Colour Temperature</b>	1100lm/2100 lm
<b>Lamp Output</b>	> 160 degree
<b>Beam Angle</b>	Built-in driver
<b>Control Gear</b>	220VAC
<b>Power Supply</b>	25,000 hrs.
<b>LED Lifetime</b>	T8:18/36W
<b>Equivalent</b>	

### Ordering Data

Model	Watt
L&E#Investment LED-T8-1100LM/840/7W/CT	7W
L&E#Investment LED-T8-1100LM/865/7W/CT	7W
L&E#Investment LED-T8-2100LM/840/14W/CT	14W
L&E#Investment LED-T8-2100LM/865/14W/CT	14W
L&E#Investment LED-T8-2100LM/865/16W/OT/DE	16W



### Related Products

