

# Lighting Track System



TIS LTS01

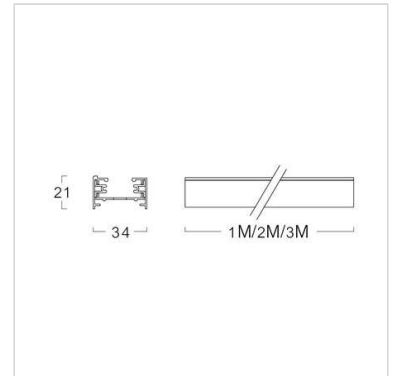
## Specification

<b>Housing</b>	Extruded aluminium with copper wire for maximum current 16A (Max.3520W)
<b>Finishing</b>	Powder Coated in white or black
<b>Mounting</b>	Surface
<b>Power Supply</b>	1 Circuit 220-240VAC,50Hz
<b>Power Factor</b>	N/A
<b>Insulation Class</b>	I
<b>IP Rating</b>	20
<b>Remarks</b>	1 Circuit for Non-dim or Dim phase



## Ordering Data

Model	Watt
LTS01/WH 1.0 m.	-
LTS01/WH 2.0 m.	-
LTS01/WH 3.0 m.	-
LTS01-I/WH (I-Connector)	-
LTS01-L/WH (L-Connector)	-
LTS01-S/WH (Power supply with end cap)	-
LTS01-T/WH (T-Connector)	-
LTS01-X/WH (X-Connector)	-



## Related Products

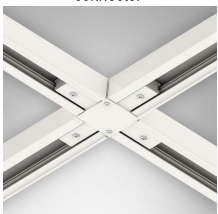


Power supply/End cap connector

I Connector

L Connector

T Connector



X Connector