

# LED Spot / Tracklight



TIS TRP125

## Application

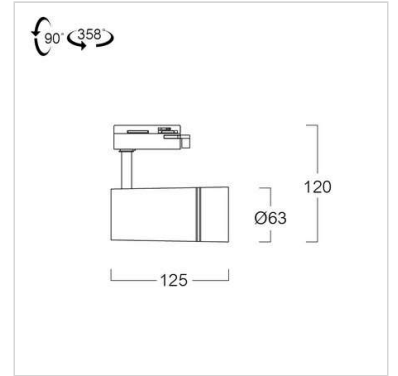
Track light is designed to use for office buildings, shopping centers, convenience stores, modern trade stores, discount stores, hotels, restaurants, residences, museums, recreational centers, etc.

## Specification

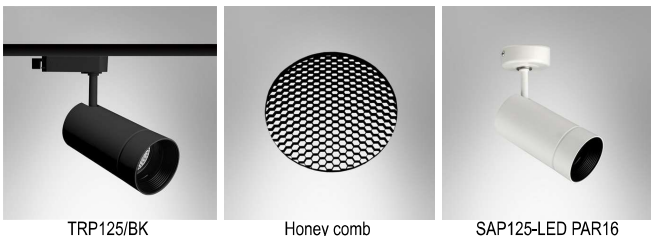
<b>Housing</b>	Die-cast aluminium
<b>Finishing</b>	Powder Coated in white or balck
<b>Mounting</b>	1 circuit lighting track (LTS01/LTR01)
<b>Power</b>	4-7W
<b>Light Source</b>	LED-PAR16
<b>Lamp Holder</b>	GU10
<b>Colour Temperature</b>	2700 - 4000K
<b>Lamp Output</b>	4.3W : 2700K : 380 lm 5.4W : 2700K : 402 lm 7W : 3000/4000K : 620 lm
<b>Power Supply</b>	220VAC,50Hz ( L&E lamps ) 220-240VAC,50Hz ( other brands lamp are available as option )
<b>Power Factor</b>	N/A
<b>Insulation Class</b>	II
<b>IP Rating</b>	20
<b>Luminaire Lifetime</b>	15,000-50,000hrs.
<b>Equivalent</b>	PAR16 35 - 50W

## Ordering Data

Model	Watt
TRP125/BK-XXLED-PAR16	4-7W
TRP125/WH-XXLED-PAR16	4-7W



## Related Products



TRP125/BK

Honey comb

SAP125-LED PAR16

