

# LED Spot / Tracklight



## TIS TRP135

### Application

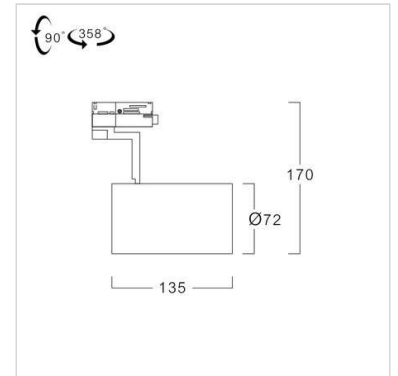
Track light is designed to use for office buildings, shopping centers, convenience stores, modern trade stores, discount stores, hotels, restaurants, residences, museums, recreational centers, etc.

### Specification

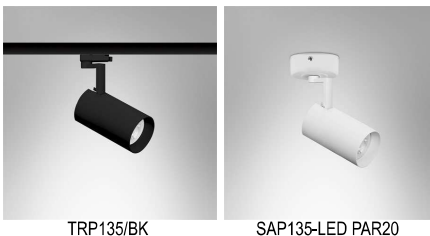
<b>Housing</b>	Die-cast aluminium
<b>Finishing</b>	Powder Coated in white or black
<b>Mounting</b>	1 circuit lighting track (LTS01/LTR01)
<b>Power</b>	5,5-6W
<b>Light Source</b>	LED-PAR20
<b>Lamp Holder</b>	E27
<b>Colour Temperature</b>	2700-3000K
<b>Lamp Output</b>	5,5W : 2700K : 440 lm 6W : 3000K : 600 lm
<b>Power Supply</b>	220VAC,50Hz ( L&E lamps ) 220-240VAC,50Hz ( other brands lamp are available as option )
<b>Power Factor</b>	N/A
<b>Insulation Class</b>	II
<b>IP Rating</b>	20
<b>Luminaire Lifetime</b>	20,000-45,000 hrs.
<b>Equivalent</b>	PAR20 50W

### Ordering Data

Model	Watt
TRP135/BK-XXLED-PAR20	5,5-6W
TRP135/WH-XXLED-PAR20	5,5-6W



### Related Products



TRP135/BK

SAP135-LED PAR20

