

LED Recessed Downlight



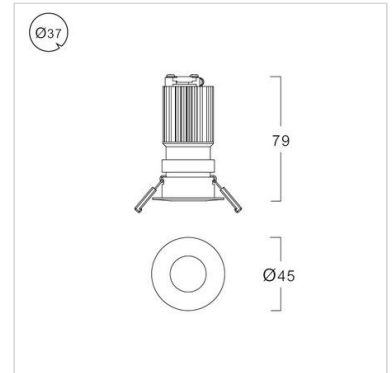
 TIS RFL35D

Application

Recessed downlight is designed to use for office buildings, shopping centers, convenience stores, modern trade stores, discount stores, hotels, restaurants, residences, recreation centers, museums, etc.

Specification

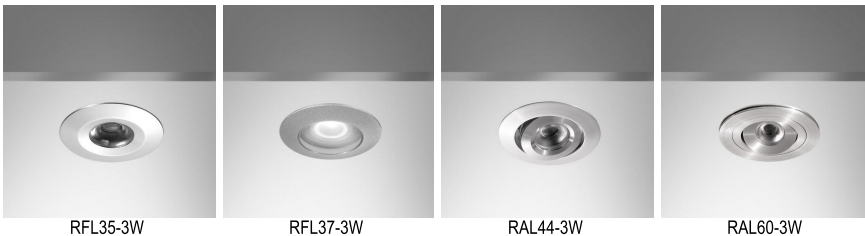
Housing	Die-cast aluminium
Finishing	Powder Coated in white / black
Mounting	Recessed
Power	7W
Light Source	LED-COB
Colour Temperature	3000K
CRI	>80
Lamp Output	657 lm
Luminaire Output	337 lm*
Beam Angle	24/40 degree
Control Gear	Separate driver
Power Supply	220-240VAC, 50Hz
Power Factor	>0.9
Insulation Class	II
IP Rating	20
Luminaire Lifetime	25,000 hrs.
Equivalent	MR16 50W
Remarks	*Value at 24 Degree



Ordering Data

Model	Watt
RFL35D/WH-7LED	7W

Related Products



RFL35-3W

RFL37-3W

RAL44-3W

RAL60-3W