

LED IP Recessed Downlight



TIS RSL811/D

Application

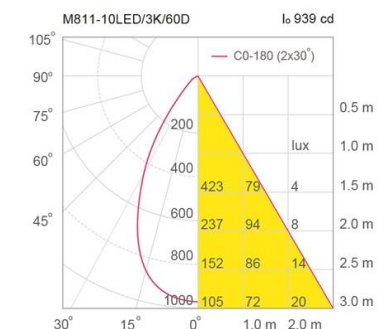
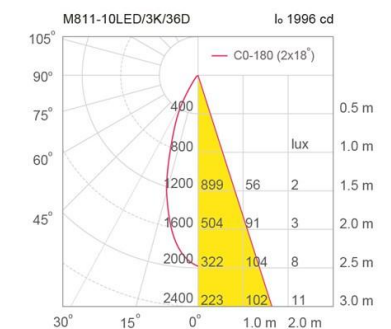
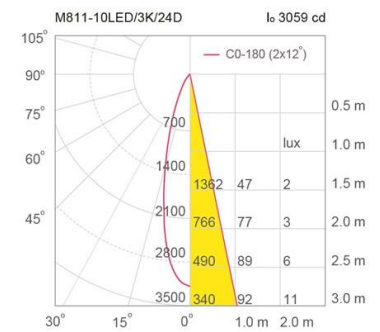
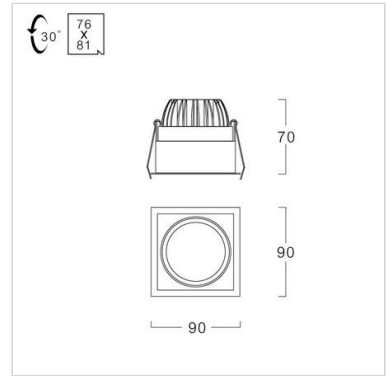
Recessed downlight is designed to use for office buildings, shopping centers, convenience stores, modern trade stores, discount stores, hotels, restaurants, residences, recreation centers, museums, etc.

Specification

Housing	Die-cast aluminium
Finishing	Powder coated in white
Mounting	Recessed
Power	10W
Light Source	LED-COB
Colour Temperature	3000/4000K
CRI	>80
Lamp Output	1258/1409 lm
Luminaire Output	1021/1144 lm*
Beam Angle	24/36/60 degree
Control Gear	Separate driver
Power Supply	220-240VAC, 50Hz
Power Factor	>0.9
Insulation Class	II
IP Rating	44
Luminaire Lifetime	25,000 hrs.
Equivalent	MR16 50W
Remarks	*Value at 24 Degree

Ordering Data

Model	Watt
RSL811D/WH-10LED	10 W



Related Products

