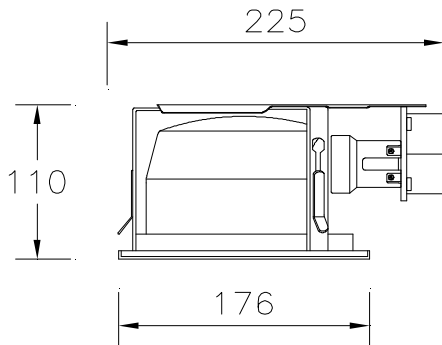


# ERDC154H

# LUMAX

ENCLOSED DOWNLIGHT : CF.



## APPLICATIONS

- \* HOTELS LOBBIES , RECEPTION AREAS
- \* SHOPPING MALLS , RESTAURANTS
- \* CANOPIES AND OTHER INDOOR APPLICATIONS  
WHERE CEILING HEIGHT IS LOW AND MEDIUM.

## SPECIFICATIONS

- \* STEEL FRAME FINISHED IN BLACK POLYESTER POWDER COAT
- \* HIGH QUALITY ALUMINIUM REFLECTOR
- \* CUTOUT: 155 MM.
- \* RECESSED DEPTH: 110 MM.

CATALOG NO.	BASE	LAMP	LUMENS	REMARKS
ERDC154H-E27	E27	-	-	
ERDC154H-8 GINIE	E27	GENIE 8W	400	
ERDC154H-11GINIE	E27	GENIE 11W	600	
ERDC154H-18GINIE	E27	GENIE 18W	1,042	