

# LED IP Recessed Downlight



TIS RFM75

## Application

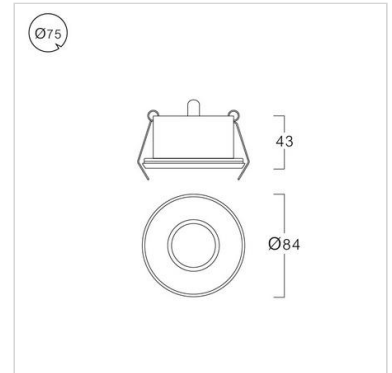
Recessed downlight is designed to use for office buildings, shopping centers, convenience stores, modern trade stores, discount stores, hotels, restaurants, residences, recreation centers, museums, etc.

## Specification

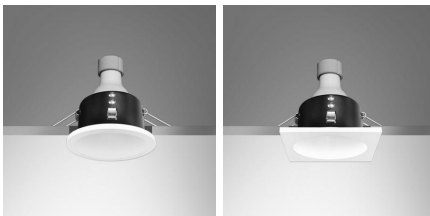
<b>Housing</b>	Die-cast aluminium
<b>Finishing</b>	Powder coated in white/black
<b>Diffuser</b>	Frosted glass
<b>Mounting</b>	Recessed
<b>Power</b>	4-8W
<b>Light Source</b>	LED-MR16
<b>Lamp Holder</b>	GX5.3
<b>Colour Temperature</b>	2700-6500K
<b>Lamp Output</b>	6W : 2700/3000/4000/6500K : 550 lm 7W : 2700K : 550 lm 7W : 3000K : 600 lm
<b>Control Gear</b>	Separate magnetic or electronic transformer
<b>Power Supply</b>	220VAC,50Hz ( Magnetic transformer ) 220-240VAC,50Hz ( Electronic transformer is available as option )
<b>Power Factor</b>	>0.9
<b>Insulation Class</b>	II
<b>IP Rating</b>	44
<b>LED Lifetime</b>	6W : 15,000 hrs. 7W : 25,000 hrs.
<b>Equivalent</b>	MR16 35 - 50W

## Ordering Data

Model	Watt
RFM75/WH-XXLED-MR16	4-8W



## Related Products



RFP74D-LED PAR16

RSFP74D-LED PAR16

