

LED Recessed Downlight



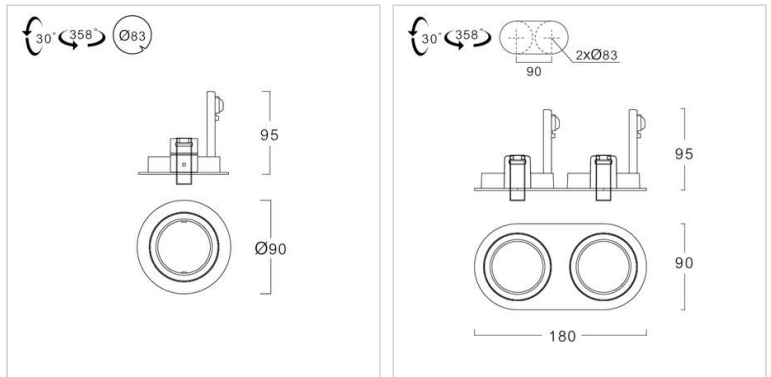
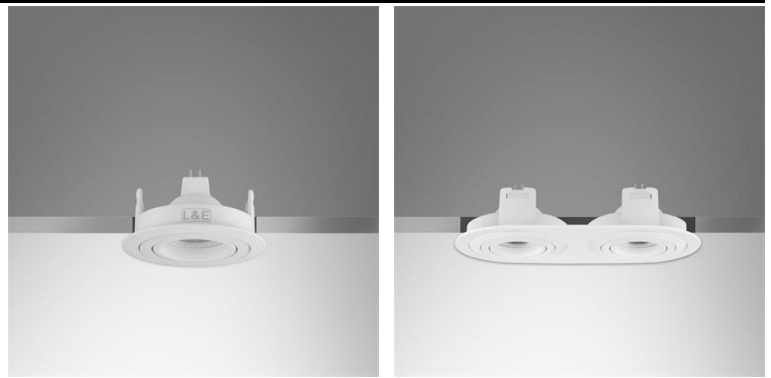
TIS RAM83

Application

Recessed downlight is designed to use for office buildings, shopping centers, convenience stores, modern trade stores, discount stores, hotels, restaurants, residences, recreation centers, museums, etc.

Specification

Housing	Die-cast aluminium
Finishing	Powder Coated in white / black
Mounting	Recessed
Power	1x4-8W (1 lamp) 2x4-8W (2 lamps)
Light Source	LED-MR16
Lamp Holder	GX5.3
Colour Temperature	2700-6500K
CRI	80
Lamp Output	6W : 2700/3000/4000/6500K : 550 lm 7W : 2700K : 550 lm 7W : 3000K : 600 lm
Control Gear	Separate magnetic or electronic transformer
Power Supply	220VAC, 50Hz (Magnetic transformer) 220-240VAC, 50Hz (Electronic transformer is available as option)
Power Factor	>0.9
Insulation Class	II
IP Rating	20
LED Lifetime	6W : 15,000 hrs. 7W : 25,000 hrs.
Equivalent	MR16 35 - 50W



Ordering Data

Model	Watt
RAM83/WH-XXLED-MR16	4-8W
RAM83/WH-2xXXLED-MR16	8-16W

Related Products

