

# LED Multi-Recessed Downlight



## TIS RSAM83

### Application

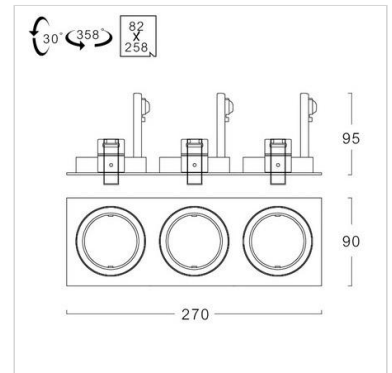
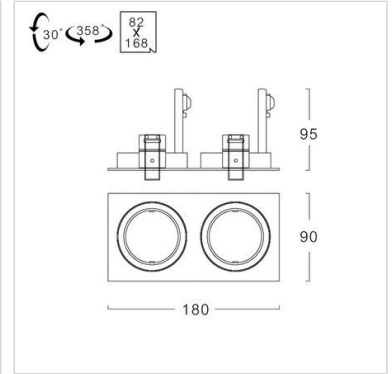
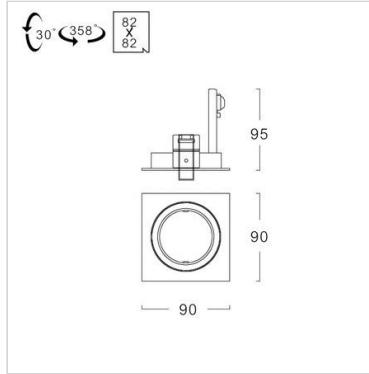
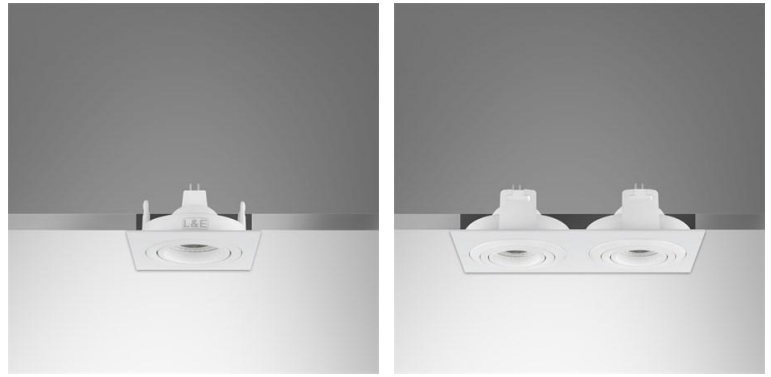
Recessed downlight is designed to use for office buildings, shopping centers, convenience stores, modern trade stores, discount stores, hotels, restaurants, residences, recreation centers, museums, etc.

### Specification

<b>Housing</b>	Die-cast aluminium
<b>Finishing</b>	Powder coated in black/white
<b>Mounting</b>	Recessed
<b>Power</b>	1x4-8W (1 lamp) 2x4-8W (2 lamps) 3x4-8W (3 lamps)
<b>Light Source</b>	LED-MR16
<b>Lamp Holder</b>	GX5.3
<b>Colour Temperature</b>	2700-6500K
<b>Lamp Output</b>	6W : 2700/3000/4000/6500K : 550 lm 7W : 2700K : 550 lm 7W : 3000K : 600 lm
<b>Control Gear</b>	Separate magnetic or electronic transformer
<b>Power Supply</b>	220VAC,50Hz ( Magnetic transformer ) 220-240VAC,50Hz ( Electronic transformer is available as option )
<b>Power Factor</b>	>0.9
<b>Insulation Class</b>	II
<b>IP Rating</b>	20
<b>LED Lifetime</b>	6W : 15,000 hrs. 7W : 25,000 hrs.
<b>Equivalent</b>	1xMR16 35 - 50W 2xMR16 35 - 50W 3xMR16 35 - 50W

### Ordering Data

Model	Watt
RSAM83/WH-1xXXLED-MR16	4-8W
RSAM83/WH-2xXXLED-MR16	8-16W
RSAM83/WH-3xXXLED-MR16	12-24W



### Related Products

