

# LED Surface Square/Multi Downlight



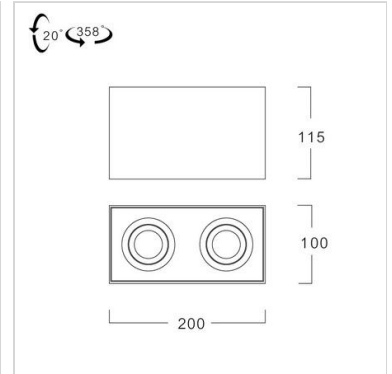
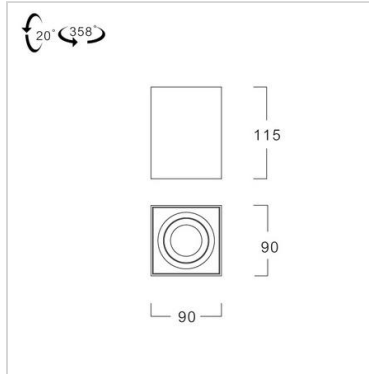
TIS SSAP91D

## Specification

<b>Housing</b>	Die-cast aluminium lamp cover and extruded aluminium
<b>Finishing</b>	Powder Coated in white/black
<b>Mounting</b>	Surface
<b>Power</b>	1x4-7W (1 lamp) 2x4-7W (2 lamps)
<b>Light Source</b>	LED-PAR16
<b>Lamp Holder</b>	GU10
<b>Colour Temperature</b>	2700 - 4000K
<b>Lamp Output</b>	4.3W : 2700K : 380 lm 5.4W : 2700K : 402 lm 7W : 3000/4000K : 620 lm
<b>Power Supply</b>	220VAC,50Hz ( L&E lamps ) 220-240VAC,50Hz ( other brands lamp are available as option )
<b>Power Factor</b>	N/A
<b>Insulation Class</b>	I
<b>IP Rating</b>	20
<b>Luminaire Lifetime Equivalent</b>	15,000-50,000 hrs. PAR16 35 - 50W

## Ordering Data

Model	Watt
SSAP91D/WH-1xXXLED-PAR16	4-7W
SSAP91D/WH-2xXXLED-PAR16	8-14W



## Related Products



SAP91D-LED PAR16

SAP91-LED PAR16

