

LED Surface Downlight



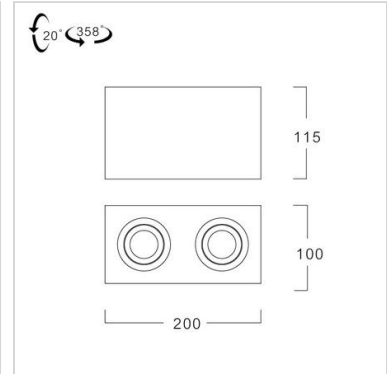
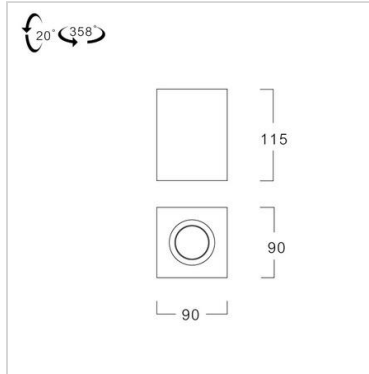
SSAP91

Specification

Housing	Die-cast aluminium lamp cover and extruded aluminium
Finishing	Powder Coated in white / black
Mounting	Surface
Power	1x4-7W (1 lamp) 2x4-7W (2 lamps)
Light Source	LED-PAR16
Lamp Holder	GU10
Colour Temperature	2700 - 4000K
Lamp Output	4.3W : 2700K : 380 lm 5.4W : 2700K : 402 lm 7W : 3000/4000K : 620 lm
Power Supply	220VAC,50Hz (L&E lamps) 220-240VAC,50Hz (other brands lamp are available as option)
Power Factor	N/A
Insulation Class	I
IP Rating	20
Luminaire Lifetime Equivalent	15,000-50,000 hrs. PAR16 35 - 50W

Ordering Data

Model	Watt
SSAP91/WH-1xXXLED-PAR16	4-7W
SSAP91/WH-2xXXLED-PAR16	8-14W



Related Products



SAP91D-LED PAR16

SAP91-LED PAR16

