

LED IP Recessed Downlight



TIS RFP74D

Application

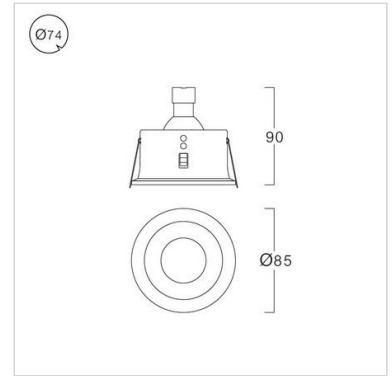
Recessed downlight is designed to use for office buildings, shopping centers, convenience stores, modern trade stores, discount stores, hotels, restaurants, residences, recreation centers, museums, etc.

Specification

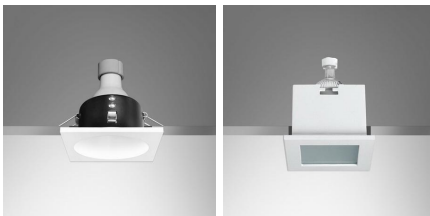
Housing	Die-cast aluminium
Finishing	Powder Coated in white
Diffuser	Clear glass
Mounting	Recessed
Power	4-7W
Light Source	LED-PAR16
Lamp Holder	GU10
Colour Temperature	2700 - 4000K
Lamp Output	4.3W : 2700K : 380 lm 5.4W : 2700K : 402 lm 7W : 3000/4000K : 620 lm
Power Supply	220VAC,50Hz (L&E lamps) 220-240VAC,50Hz (other brands lamp are available as option)
Power Factor	N/A
Insulation Class	II
IP Rating	44
Luminaire Lifetime	15,000-50,000 hrs.
Equivalent	PAR16 35 - 50W

Ordering Data

Model	Watt
RFP74D/WH-XXLED-PAR16	4-7W



Related Products



RSFP74D-LED PAR16

RSM76-LED MR16

