

LED Multi-Recessed Downlight



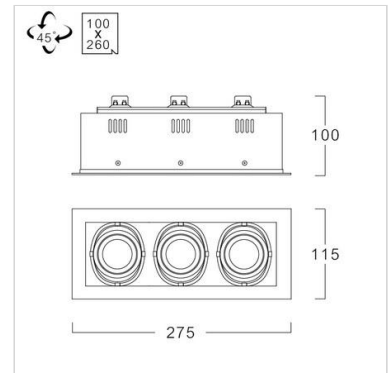
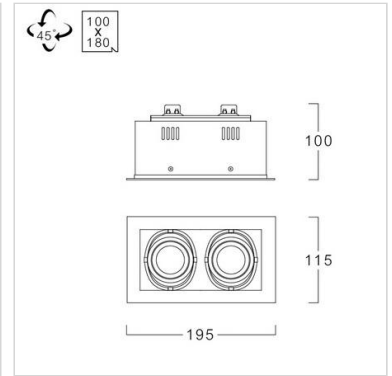
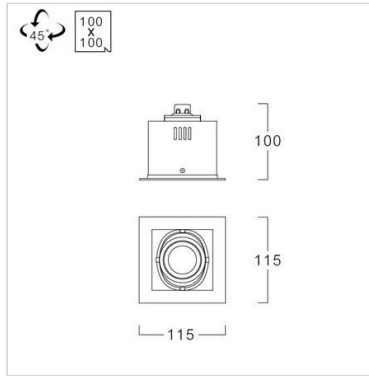
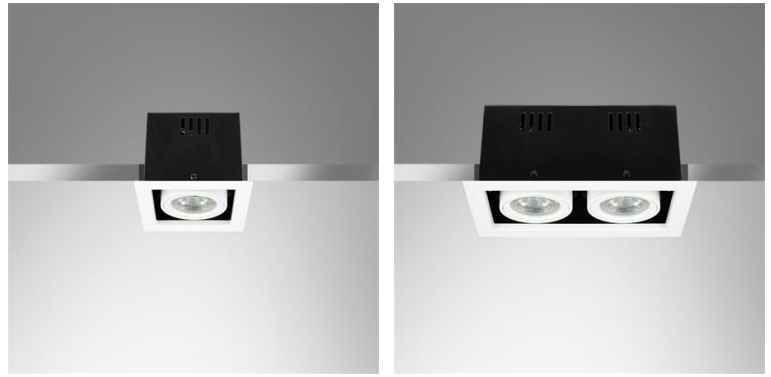
TIS RSAM99

Application

Recessed downlight is designed to use for office buildings, shopping centers, convenience stores, modern trade stores, discount stores, hotels, restaurants, residences, recreation centers, museums, etc.

Specification

Housing	Painted steel frame and Die-cast aluminium lamp head
Description	3 different color matching are available for various applications WH : lamp head white , trim white BK : lamp head black , trim black BK/WH : lamp head black , trim white
Finishing	Powder Coated in white/black
Mounting	Recessed
Power	1x4-8W (1 lamp) 2x4-8W (2 lamps) 3x4-8W (3 lamps)
Light Source	LED-MR16
Lamp Holder	GX5.3
Colour Temperature	2700-6500K
Lamp Output	6W : 2700/3000/4000/6500K : 550 lm 7W : 2700K : 550 lm 7W : 3000K : 600 lm
Control Gear	Separate magnetic or electronic transformer
Power Supply	220VAC,50Hz (Magnetic transformer) 220-240VAC,50Hz (Electronic transformer is available as option)
Power Factor	>0.9
Insulation Class	II
IP Rating	20
LED Lifetime	6W : 15,000 hrs. 7W : 25,000 hrs.
Equivalent	1xMR16 35 - 50W 2xMR16 35 - 50W 3xMR16 35 - 50W



Ordering Data

Model	Watt
RSAM99/WH-1xXXLED-MR16	4-8W
RSAM99/WH-2xXXLED-MR16	8-16W
RSAM99/WH-3xXXLED-MR16	12-24W

Related Products

