

# LED Multi-Recessed Downlight



## TIS RSAP90D

### Application

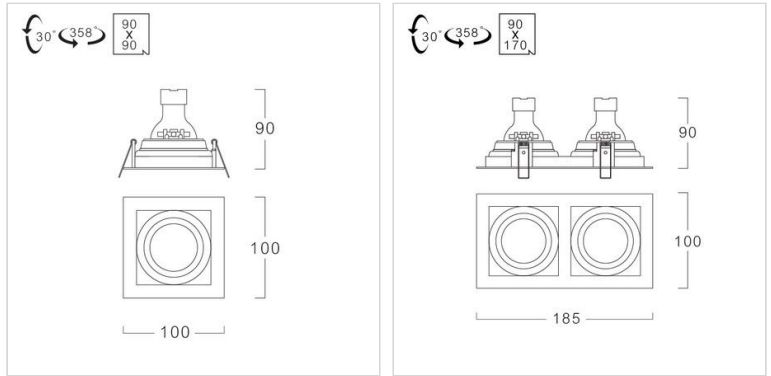
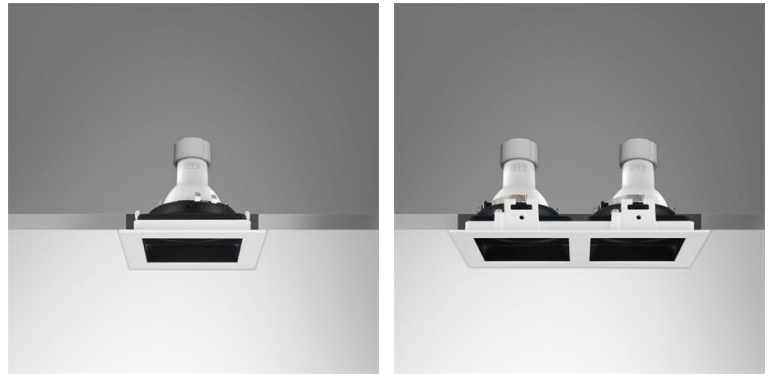
Recessed downlight is designed to use for office buildings, shopping centers, convenience stores, modern trade stores, discount stores, hotels, restaurants, residences, recreation centers, museums, etc.

### Specification

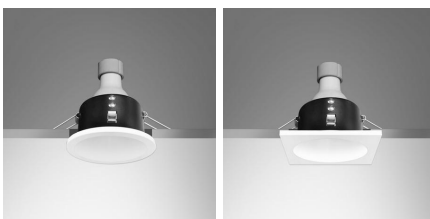
<b>Housing</b>	Die-cast aluminium
<b>Finishing</b>	Powder Coated in white / black
<b>Mounting</b>	Recessed
<b>Power</b>	4-7W
<b>Light Source</b>	LED-PAR16
<b>Lamp Holder</b>	GU10
<b>Colour Temperature</b>	2700 - 4000K
<b>Lamp Output</b>	4.3W : 2700K : 380 lm 5.4W : 2700K : 402 lm 7W : 3000/4000K : 620 lm
<b>Power Supply</b>	220VAC,50Hz ( L&E lamps ) 220-240VAC,50Hz ( other brands lamp are available as option )
<b>Power Factor</b>	N/A
<b>Insulation Class</b>	II
<b>IP Rating</b>	20
<b>Luminaire Lifetime</b>	15,000-50,000 hrs.
<b>Equivalent</b>	PAR16 35 - 50W

### Ordering Data

Model	Watt
RSAP90D/WH-1xXXLED-PAR16	4-7W
RSAP90D/WH-2xXXLED-PAR16	8-14W



### Related Products



RFP74D-LED PAR16

RSFP74D-LED PAR16

