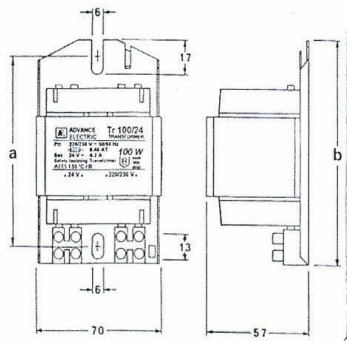
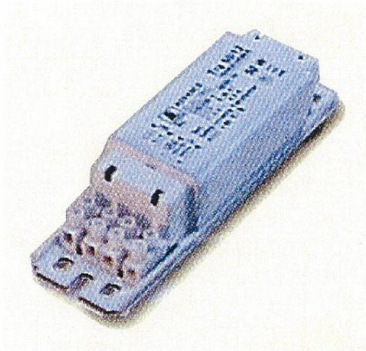


**Transformer for Low Voltage Halogen Lamp**



**FEATURE**

- \* Design by TRaDES
- \* Safety separate winding
- \* Low Magnetic Leakage Flux
- \* Low Transformer Loss
- \* Correct lamp watt for long lamp life
- \* Safety Protection Class 1
- \* Class H insulation winding
- \* Rated maximum temperature of winding  $t_w$  130 c
- \* Low wiring copper loss

According to standard AEE51558, IEC 60064, 60092, 60357, 60367, IEC 60723, 60740, 60742, 60852, IEC 60989, 61007, 61021, 61186, IEC 61248, 61378, 61558, 61797, IEC 61823, 61869, EN 60742, VDE 0550, VDE 0551

AE Safety Isolating Transformer								
Lamp Wattage	Transformer type	Input ( Primary )		Output ( Secondary )		Dimensions (mm)		Weight (kg)
		Voltage	Fuse (AT)	Voltage	Power	a	WxLxH	
5 W	Tr 5/12	220/230	0.15 AT	11.5 V	5 VA		42x152x34	0.6
10 W	Tr 10/12	220/230	0.15 AT	11.5 V	10 VA		42x152x34	0.6
20 W	Tr 20/12	220/230	0.15 AT	11.5 V	20 VA		42x152x34	0.6
35 W	Tr 35/12	220/230	0.25 AT	11.5 V	35 VA		42x152x34	0.7
50 W	Tr 50/12	220/230	0.30 AT	11.5 V	50 VA		42x152x34	0.8