

 TIS **ELED-JCDR/220V**

Application

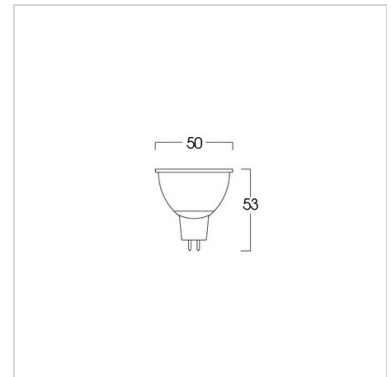
This LED lamp is designed to replace conventional lamp which is safe cost and save energy depending on each lamp types. There is no UV, long lifetime, etc.

Specification

Housing	Aluminium heat sink cover with PC
Description	Energy saving up to 85% No UV Non-dimmable In case to use with existing luminaire please remove any transformer before replace JCDR lamp
Power	6W
Light Source	LED-Module
Lamp Holder	GU5.3
Colour Temperature	3000/4000/6500K
CRI	80
Lamp Output	6W:410/410/410 lm
Beam Angle	38 degree
Control Gear	Built-in driver
Power Supply	220VAC 50Hz
LED Lifetime	25,000 hrs.
Equivalent	MR16 35/50W

Ordering Data

Model	Watt
LUMAX#ECOJCDR-410LM/830/6W/GU5.3/220V	6W
LUMAX#ECOJCDR-410LM/840/6W/GU5.3/220V	6W
LUMAX#ECOJCDR-410LM/865/6W/GU5.3/220V	6W



Related Products



Recessed Downlight



Recessed Downlight



Track light Luminaire