

TIS ELED-CYLINDRICAL/E27

Application

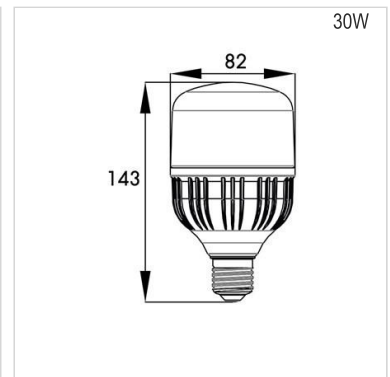
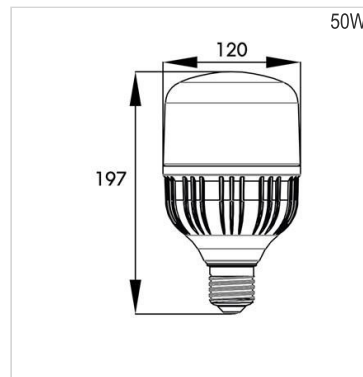
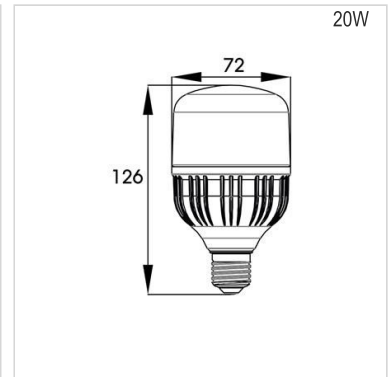
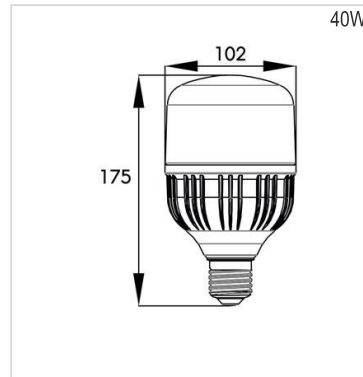
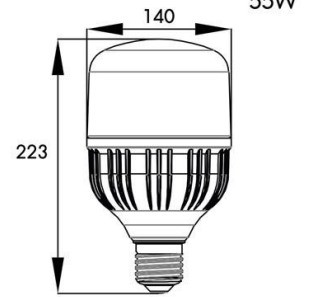
This LED lamp is designed to replace conventional lamp which is safe cost and save energy depending on each lamp types. There is no UV, long lifetime, etc.

Specification

Housing	Aluminium heat sink cover with PC
Description	Energy saving up to 85% No UV Non-dimmable
Power	20W/30W/40W/50W/55W
Light Source	LED-Module
Lamp Holder	E27
Colour Temperature	20W, 30W:3000K/6500K 40W, 50W, 55W:6500K
CRI	>80
Lamp Output	20W:1800/1900 lm 30W:2700/2800 lm 40W:4000 lm 50W:5000 lm 55W:6000 lm
Beam Angle	160 degree
Control Gear	Built-in driver
Power Supply	220VAC 50Hz
LED Lifetime	25,000 hrs.
Equivalent	INCANDESCENT 150 W / 200 W / 300 W INCANDESCENT 400 W / 500 W

Ordering Data

Model	Watt
LUMAX#CYLINDRICAL-1800LM/830/20W/E27	20W
LUMAX#CYLINDRICAL-1900LM/865/20W/E27	20W
LUMAX#CYLINDRICAL-2700LM/830/30W/E27	30W
LUMAX#CYLINDRICAL-2800LM/865/30W/E27	30W
LUMAX#CYLINDRICAL-4000LM/865/40W/E27+E40AD	40W
LUMAX#CYLINDRICAL-5000LM/865/50W/E27+E40AD	50W
LUMAX#CYLINDRICAL-6000LM/865/55W/E27+E40AD	55W



Related Products



Low bay Luminaire