

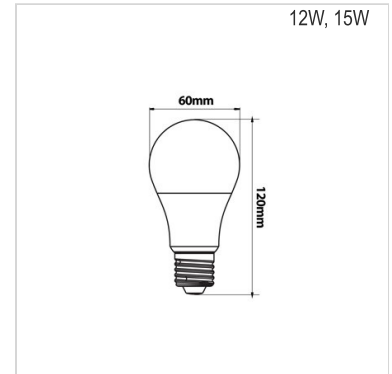
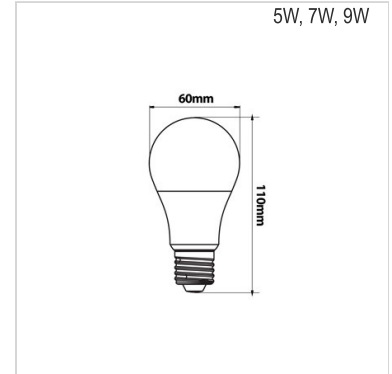
 TIS **ELED-BULB/A60/15000HRS**

Application

This LED lamp is designed to replace conventional lamp which is safe cost and save energy depending on each lamp types. There is no UV, long lifetime, etc.

Specification

Housing	Aluminium heat sink cover with PC
Description	Energy saving up to 85% No UV Non-dimmable
Power	5/7/9/12W/15W
Light Source	LED-Module
Lamp Holder	E27
Colour Temperature	3000/4000K/6500K
Lamp Output	5W:470/510 lm 7W:630/660/690 lm 9W:810/850 lm
Beam Angle	200 degree
Control Gear	Driver built-in
Power Supply	220 V 50 Hz
IP Rating	20
LED Lifetime	15000 hrs
Equivalent	5W:CFL 9W , 7W:CFL 11W 9W:CFL 14W;



Ordering Data

Model	Watt
LUMAX#ECOBULB-470LM/830/5W/E27/ECO	5W
LUMAX#ECOBULB-510LM/865/5W/E27/ECO	5W
LUMAX#ECOBULB-630LM/830/7W/E27/ECO	7W
LUMAX#ECOBULB-660LM/840/7W/E27/ECO	7W
LUMAX#ECOBULB-690LM/865/7W/E27/ECO	7W
LUMAX#ECOBULB-810LM/830/9W/E27/ECO	9W
LUMAX#ECOBULB-850LM/865/9W/E27/ECO	9W
LUMAX#ECOBULB-1200LM/830/12W/E27/15000Hrs/V2	12W
LUMAX#ECOBULB-1250LM/840/12W/E27/15000Hrs/V2	12W
LUMAX#ECOBULB-1300LM/865/12W/E27/15000Hrs/V2	12W
LUMAX#ECOBULB-1500LM/830/15W/E27/15000Hrs/V2	15W
LUMAX#ECOBULB-1600LM/865/15W/E27/15000Hrs/V2	15W

Related Products



Recessed downlight



Surface downlight



Pendant Luminaire