

# LED Lamp

LUMAX

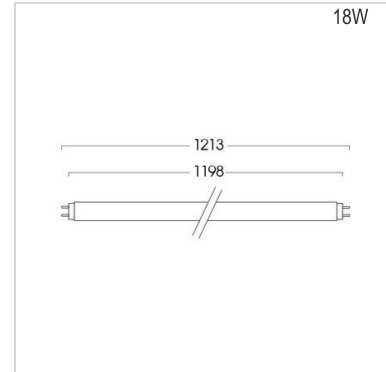
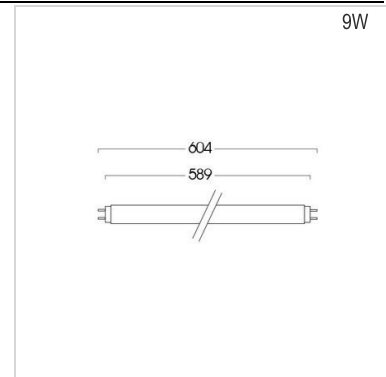
 TIS ELED-T8/LPF

## Application

This LED lamp is designed to replace conventional lamp which is safe cost and save energy depending on each lamp types. There is no UV, long lifetime, etc.

## Specification

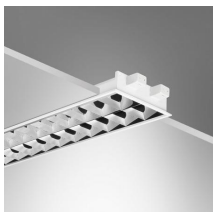
<b>Housing</b>	Frosted Glass Tube is excellent designed to protect injury cause of electric shock
<b>Description</b>	Energy saving up to 55 % No UV and IR non-dimmable Recommend to remove ballast for existing luminaires Double side wiring for LED T8 lamp White encap : P.F <0.5, RA>70 Surge protection 1kV
<b>Power</b>	9/18W
<b>Light Source</b>	LED-Module
<b>Lamp Holder</b>	G13
<b>Colour Temperature</b>	6500K
<b>Lamp Output</b>	ECOSAVE PLUS 9/18W: 1250/2500 lm ECOSAVE PLUS 25W: 3000 lm
<b>Beam Angle</b>	200 degree
<b>Control Gear</b>	built-in driver
<b>Power Supply</b>	220VAC 50Hz
<b>LED Lifetime</b>	ECOSAVE PLUS 15000 Hrs
<b>Equivalent</b>	9/18W : T8: 18/36W , T5: 14/28W



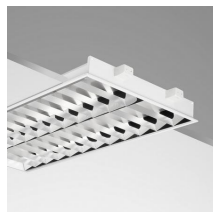
## Ordering Data

Model	Watt
LUMAX#ECOSAVE PLUS T8-1250LM/765/9W/OT	9W
LUMAX#ECOSAVE PLUS T8-2500LM/765/18W/OT	18W
LUMAX#ECOSAVE PLUS T8-3000LM/765/25W/OT	25W

## Related Products



Recessed Luminaire



Surface Luminaire

