

 TIS **ELED-BULB/TBULB**

Application

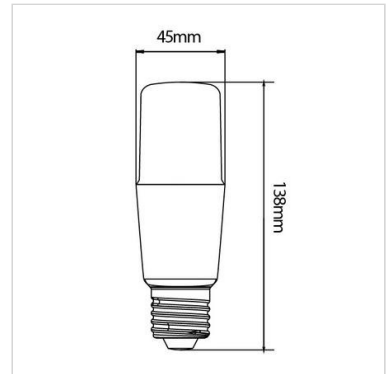
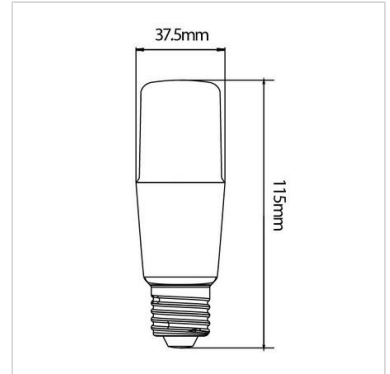
This LED lamp is designed to replace conventional lamp which is safe cost and save energy depending on each lamp types. There is no UV, long lifetime, etc.

Specification

Housing	Aluminium heat sink cover with PC
Description	Energy saving up to 85% No UV Non-dimmable
Power	6/8/9.5W
Light Source	LED-Module
Lamp Holder	E27
Colour Temperature	9W:3000/6500K 12W:3000/4000/6500K
CRI	80
Lamp Output	9W:810/-/850 lm 12W:1050/1100/1150 lm
Beam Angle	200 degree
Control Gear	Built-in driver
Power Supply	220VAC 50Hz
LED Lifetime	15,000 hrs.
Equivalent	9W:CFL 14W 12W:CFL 18W

Ordering Data

Model	Watt
LUMAX#T-BULB-810LM/830/9W/E27	9W
LUMAX#T-BULB-850LM/865/9W/E27	9W
LUMAX#T-BULB-1050LM/830/12W/E27	12W
LUMAX#T-BULB-1100LM/840/12W/E27	12W
LUMAX#T-BULB-1150LM/865/12W/E27	12W



Related Products



Recessed downlight



Surface downlight



Pendant Luminaire