

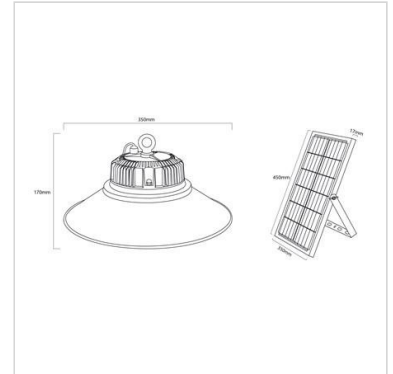
 TIS **ELBL600W/SOLAR/REMOTE**

### Application

Public area, Factory, Home  
Parking car

### Specification

|                              |   |
|------------------------------|---|
| <b>Housing</b>               | Die-cast aluminium  |
| <b>Description</b>           | Working by remote controller<br>Press "ON" for light on anytime.<br>Press "OFF" for light off immediately<br>Press "AUTO" for setting light On-Off according to ambient light<br>Can be dimmed up-down as needed<br>Can be setted hours for working |
| <b>Finishing</b>             | Powder coated in black  |
| <b>Solar Cell</b>            | 20W/6V  |
| <b>Battery</b>               | 15000mAH  |
| <b>Mounting</b>              | Surface   |
| <b>Warranty</b>              | one year  |
| <b>Power Cord Length (m)</b> | 5 meters  |
| <b>Power</b>                 | 600W  |
| <b>Light Source</b>          | LED-SMD   |
| <b>Colour Temperature</b>    | 6500K   |
| <b>Luminaire Output</b>      | 1800lm  |
| <b>Beam Angle</b>            | Wide beam   |
| <b>Control Gear</b>          | Built-in driver   |
| <b>Power Supply</b>          | Battery 3.2V  |
| <b>IP Rating</b>             | 65  |



### Ordering Data

| Model                                 | Watt |
|---------------------------------------|------|
| LUMAX#ELBL600W/BL-600LED/6.5 K/REMOTE | 600W |