

LED Weatherproof



TIS LLWPF

Application

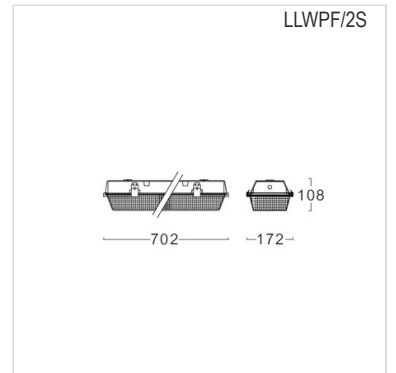
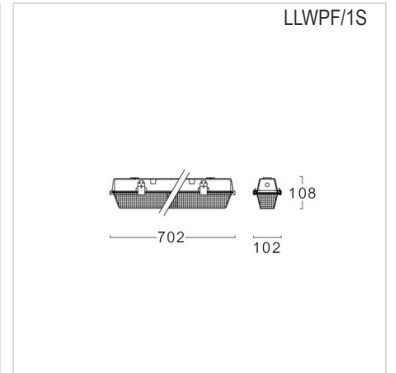
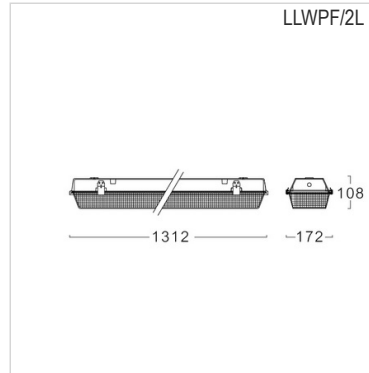
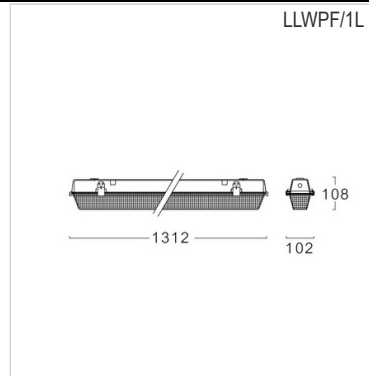
Weatherproof luminaire is designed to use for clean rooms, factories, warehouses, garages, storage rooms, cold rooms, etc.

Specification

Housing	Compression moulded glass reinforced polyester (GRP), gear tray made of die-formed cold rolled steel finished high gloss baked white polyester powder
Diffuser	Injection moulded clear prismatic UV stabilized polycarbonate (PC)
Mounting	Surface/Suspension wire
Power	1S:8-10W (1 lamp) 1L:14-20W (1 lamp) 2S:16-20W (2 lamps) 2L:28-40W (2 lamps)
Light Source	LED-T8
Lamp Holder	G13
Colour Temperature	3000/4000/6500K
Lamp Output	1S:L&E : 8/9W:1050 lm 1L:L&E : 14/16/18W:2100 lm 2S:L&E : 2x8/9W:2x1050 lm 2L:L&E : 2x14/16/18W:2x2100 lm
Luminaire Output	1S:8/9W : 908 lm 1L:14/16/18W : 1815 lm 2S:16/18W : 1795 lm 2L:28/32/36W : 3590 lm
Power Supply	220VAC 50Hz
Insulation Class	I
IP Rating	65
LED Lifetime	L&E:25,000/50,000 hrs.
Equivalent	8-10W:T5 1x14W/T8 1x18W 14-20W:T5 1x28W/T8 1x36W 16-20W:T5 2x14W/T8 2x18W 28-40W:T5 2x28W/T8 2x36W

Ordering Data

Model	Watt
LLWPF/1S/OT-XXLED-T8	8-10W
LLWPF/1L/OT-XXLED-T8	14-20W
LLWPF/2S/OT-XXLED-T8	16-20W
LLWPF/2L/OT-XXLED-T8	28-40W



Related Products



Cable gland



Polycarbonate clip



Stainless steel clip



Suspension Bracket for 1lamp(Stainless)



Suspension Bracket for 2lamps(Stainless)



LED-T8

