

LED Weatherproof

LUMAX

LELWPF110

Application

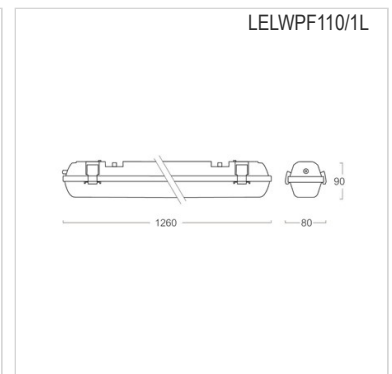
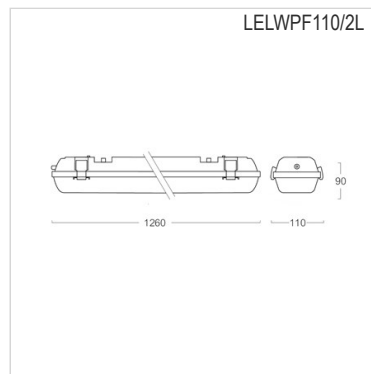
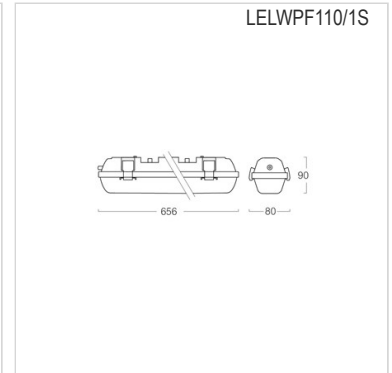
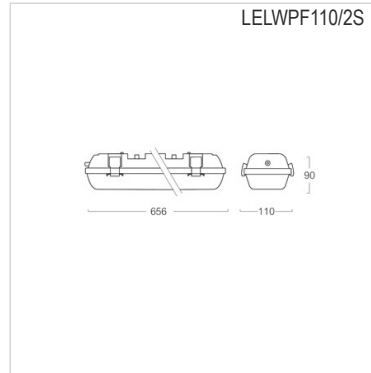
Weatherproof luminaire is designed to use for clean rooms, factories, warehouses, garages, storage rooms, cold rooms, etc.

Specification

Housing	ABS Base With gear tray powder coated in white
Description	Diffuser Clip : 1S,2S ; 6 pcs s/s Diffuser Clip : 1L,2L ; 10 pcs s/s
Diffuser	Injection moulded clear prismatic UV stabilized high quality PS diffuser ensure high transparency
Mounting	Surface
Power	1S:8-10W (1 lamp) 1L:14-20W (1 lamp) 2S:16-20W (2 lamps) 2L:28-40W (2 lamps)
Light Source	LED-T8
Lamp Holder	G13
Colour Temperature	3000/4000/6500K
Lamp Output	1S : L&E : 8/9/10W:1050 lm 1L : L&E : 14/16/18/20W:2100lm 2S : L&E : 2x8/9/10W:2x1050 lm 2L : L&E : 2x14/16/18/20W:2x2100lm
Luminaire Output	1S : 8/9/10W : 950 lm 1L : 14/16/18/20W : 1900 lm 2S : 16/18/20W : 1800 lm 2L : 28/32/36/40W : 3600 lm
Power Supply	220VAC 50Hz
Insulation Class	I
IP Rating	65
LED Lifetime	L&E: 25,000/50,000 hrs.
Equivalent	8-10W : T5 1x14W/T8 1x18W 14-20W : T5 1x28W/T8 1x36W 16-20W : T5 2x14W/T8 2x18W 28-40W : T5 2x28W/T8 2x36W

Ordering Data

Model	Watt
LELWPF110/1S/OT-XXLED-T8	8-10W
LELWPF110/1L/OT-XXLED-T8	14-20W
LELWPF110/2S/OT-XXLED-T8	16-20W
LELWPF110/2L/OT-XXLED-T8	28-40W



Related Products



Cable gland



LED-T8

