

# LED Recessed Linear



## LRST300

### Application

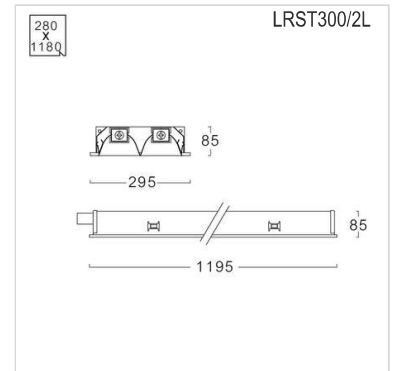
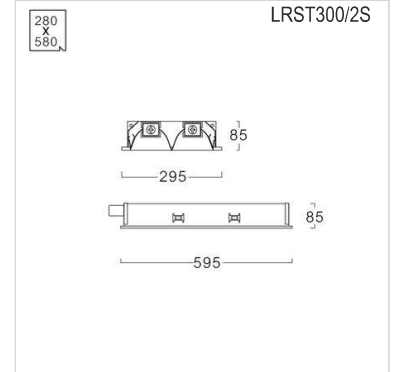
This luminaire is designed to use for office buildings, schools, storage areas, hospitals, and other working areas where is required highly uniformity illumination, etc.

### Specification

<b>Housing</b>	Die-formed cold roll steel
<b>Finishing</b>	Powder coated in white
<b>Reflector</b>	Mirror anodized aluminium
<b>Louver</b>	Mirror anodized aluminium with Christmas tree profiled cross vanes
<b>Mounting</b>	Recessed
<b>Power</b>	2S:14-18W (2 lamps) 2L:28-32W (2 lamps)
<b>Light Source</b>	LED-T8
<b>Lamp Holder</b>	G13
<b>Colour Temperature</b>	3000/4000/6500K
<b>Lamp Output</b>	2S:L&E : 2x7/8/9W:2x1050 lm 2L:L&E : 2x14/16W:2x2100 lm
<b>Luminaire Output</b>	2S: 14/16/18W : 1720 lm 2L: 28/32W : 3440 lm
<b>Power Supply</b>	220-240VAC, 50Hz
<b>Power Factor</b>	>0.9
<b>Insulation Class</b>	I
<b>IP Rating</b>	20
<b>LED Lifetime</b>	L&E:25,000/50,000 hrs.
<b>Equivalent</b>	14-18W:T5 2x14W/T8 2x18W 28-32W:T5 2x28W/T8 2x36W

### Ordering Data

Model	Watt
LRST300/2S/OT-XXLED-T8	14-18W
LRST300/2L/OT-XXLED-T8	28-32W



### Related Products



LED-T8

