

LED Recessed Linear



LRST600

Application

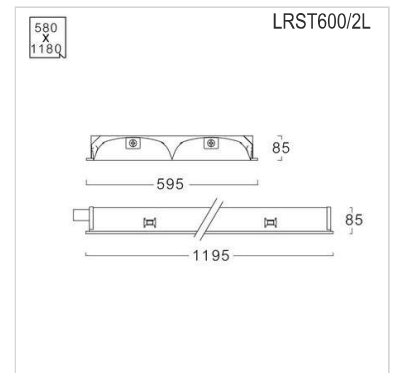
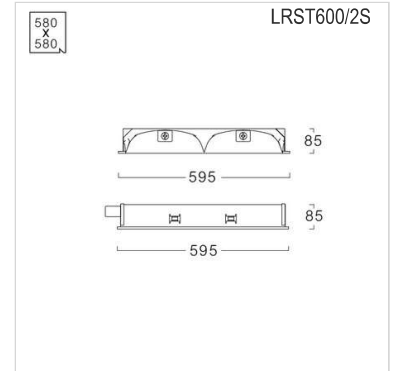
This luminaire is designed to use for office buildings, schools, storage areas, hospitals, and other working areas where is required highly uniformity illumination, etc.

Specification

Housing	Die-formed cold roll steel
Finishing	Powder coated in white
Reflector	Mirror anodized aluminium
Louver	Mirror anodized aluminium with Christmas tree profiled cross vanes
Mounting	Recessed
Power	2S: 14-18W (2 lamps) 2L: 28-32W (2 lamps)
Light Source	LED-T8
Lamp Holder	G13
Colour Temperature	3000/4000/6500K
Lamp Output	2S: L&E : 2x7/8/9W: 2x1050 lm 2L: L&E : 2x14/16W: 2x2100 lm
Luminaire Output	2S: 16/18W : 1740 lm 2L: 28/32/36W : 3480 lm
Power Supply	220-240VAC, 50Hz
Power Factor	>0.9
Insulation Class	I
IP Rating	20
LED Lifetime	L&E: 25,000/50,000 hrs.
Equivalent	14-18W: T5 2x14W/T8 2x18W 28-32W: T5 2x28W/T8 2x36W

Ordering Data

Model	Watt
LRST600/2S/OT-XXLED-T8	14-18W
LRST600/2L/OT-XXLED-T8	28-32W



Related Products



LED-T8

