

# LED Recessed Fluorescent

LRST600/PA22

## Application

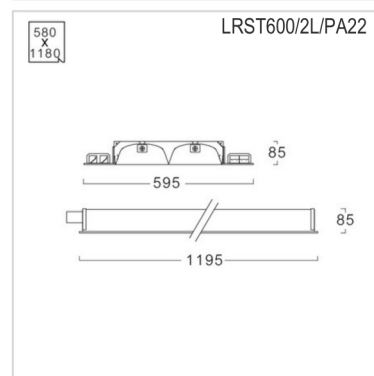
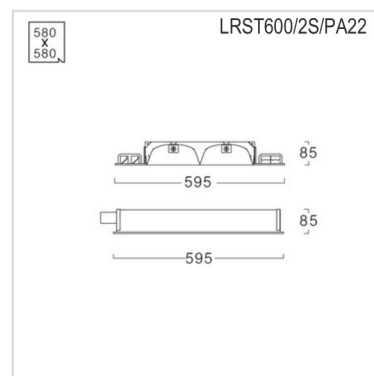
This luminaire is designed to use for office buildings, schools, storage areas, hospitals, and other working areas where is required highly uniformity illumination, etc.

## Specification

<b>Housing</b>	Die-formed cold roll steel
<b>Finishing</b>	Powder coated in white
<b>Reflector</b>	Mirror anodized aluminium
<b>Louver</b>	Mirror anodized aluminium with Christmas tree profiled cross vanes
<b>Mounting</b>	Recessed
<b>Power</b>	2S:16-20W (2 lamps) 2L:28-40W (2 lamps)
<b>Source</b>	LED-T8
<b>Lamp Holder</b>	G13
<b>Lamp Colour</b>	3000/4000/6500K
<b>Lamp Output</b>	2S:L&E : 2x8/9W:2x1050 lm 2L:L&E : 2x14/16/18W:2x2100 lm
<b>Luminaire Output</b>	2S: 16/18W : 1585 lm 2L: 28/32/36W : 3170 lm
<b>Power Supply</b>	220VAC 50Hz
<b>IP Rating</b>	20
<b>LED Lifetime</b>	L&E:25,000/50,000 hrs.
<b>Equivalent</b>	16-20W:T5 2x14W/T8 2x18W 28-40W:T5 2x28W/T8 2x36W

## Ordering Data

Model	Watt
LRST600/2S/PA22(2AIR RETURN)	16-20W
LRST600/2S/PA22(2AIR SUPPLY)	16-20W
LRST600/2S/PA22(RETURN&SUPPLY)	16-20W
LRST600/2L/PA22(2AIR RETURN)	28-40W
LRST600/2L/PA22(2AIR SUPPLY)	28-40W
LRST600/2L/PA22(RETURN&SUPPLY)	28-40W



## Related Products



LED-T8

