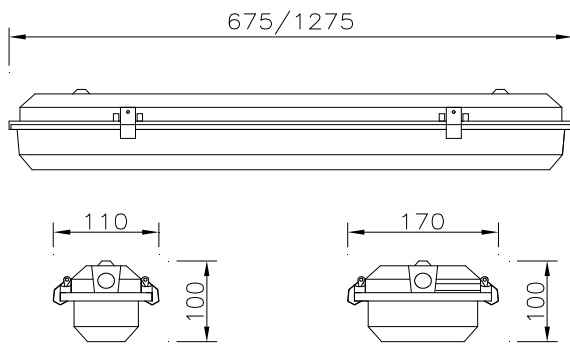


# INDUSTRIAL LUMINAIRES

# LUMAX

**WEATHER PROOF**

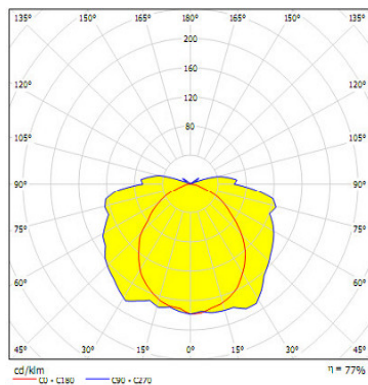
Products by L&E



## Specification.

HOUSING.	POLYCARBONATE (PC).
GEAR TRAY.	DIE-FORMED COLD-ROLLED STEEL, FINISH WITH HIGH GLOSSY BAKED WHITE POLYESTER POWDER.
DIFFUSER.	INJECTION MOULDED CLEAR PRISMATIC UV STABILIZED POLYCARBONATE (PC).
WIRING.	THW #1.0 sq.mm. 70 °C
LAMPHOLDER.	G13 FOR TL8.
CONTROL GEAR.	BUILT-IN MAGNETIC OR ELECTRONIC BALLAST.
INSTALLATION.	SCREW FIXED DIRECT TO MOUNTING SURFACE OR SNAP FITTED INTO STAINLESS STEEL SUSPENSION BRACKETS.

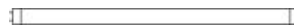
## PHOTOMETRIC DATA



230-240V  
50-60Hz

IP65.

TL8/G13



MODEL	WATT	WxLxH	REMARK.
ELWPF 1/18	1x18	122x675x100	
ELWPF 2/18	2x18	166x675x100	
ELWPF 1/36	1x36	122x1278x100	
ELWPF 2/36	2x36	166x1278x100	

All Dimension are in millimeter