

LED Floor Lamp



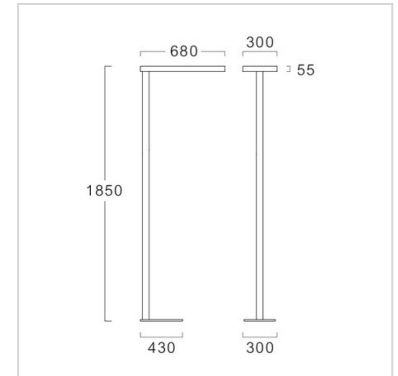
 TIS FLPL01

Specification

Housing	Extruded aluminium pole Painted steel body
Description	The Luminaire combined with the concept of indirect/direct lighting distributions
Finishing	Powder coated in silver
Diffuser	Excellent transmission opal
Mounting	Free standing
Power	36W
Source	LED Module
Lamp Colour	4000/6500K
Luminaire Output	2S:36W : 3960 lm
Control Gear	Built-in driver
Power Supply	220VAC 50Hz
IP Rating	20
Luminaire Lifetime	30,000 hrs.
Equivalent	T5 2x14W/T8 2x18W

Ordering Data

Model	Watt
FLPL01/UD/2S-36LED	36W



Related Products



LED Strip Module