

LED Pendant

T5 PPL90

Application

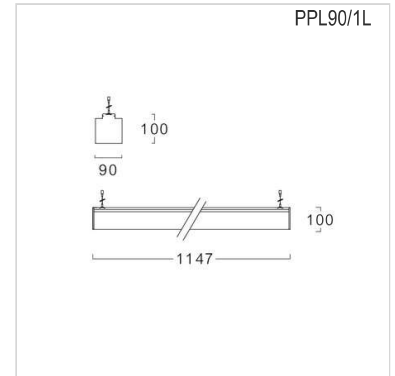
Pendant luminaire is designed to use for office buildings, book stores, discount stores, shopping centers, convenience stores, residences, hotels, restaurants, hospitals, etc.

Specification

Housing	Extruded aluminium
Finishing	Powder coated in grey
Diffuser	Excellent transmission opal acrylic
Mounting	Suspension wire
Power	36W
Light Source	LED Module
Colour Temperature	4000/5700K
Luminaire Output	1L : 36W : 4600 lm
Control Gear	Built-in driver
Power Supply	220-240VAC, 50Hz
Power Factor	>0.9
Insulation Class	I
IP Rating	54
Luminaire Lifetime	30,000 hrs.
Equivalent	36W : T5 2x28W/T8 2x36W

Ordering Data

Model	Watt
PPL90/1L-36LED	36W



Related Products



LED Strip Module

