

# LED Table Lamp



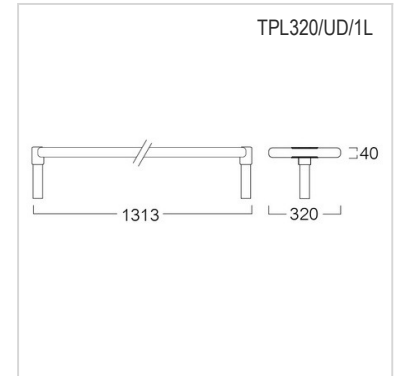
TIS TPL320

## Application

This luminaire is designed to use for office, shopping mall, school, hospitals, desk reading and other working areas where is required highly uniformity illumination, etc.

## Specification

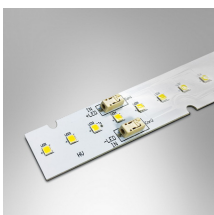
<b>Housing Description</b>	Extruded aluminium The Luminaire combined with the concept of indirect/direct lighting distributions
<b>Finishing</b>	Powder coated in grey
<b>Diffuser</b>	Excellent transmission opal acrylic
<b>Mounting</b>	Desk light
<b>Power</b>	36W
<b>Source</b>	LED Module
<b>Lamp Colour</b>	4000/6500K
<b>Luminaire Output</b>	1L:36W : 3060 lm
<b>Control Gear</b>	Built-in driver
<b>Power Supply</b>	220VAC 50Hz
<b>IP Rating</b>	20
<b>LED Lifetime</b>	30,000 hrs
<b>Equivalent</b>	36W:T5 2x28W/T8 2x36W
<b>Remarks</b>	Pole height can be maximum 1 meter.



## Ordering Data

Model	Watt
TPL320/UD/1L-36LED	36W

## Related Products



LED Strip Module

