

LED Table Lamp



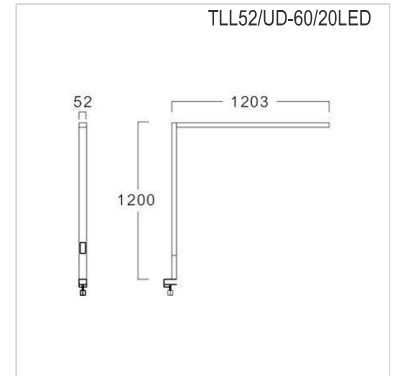
TIS TLL52/UD

Application

This luminaire is designed to use for office, shopping mall, school, hospitals, desk reading and other working areas where is required highly uniformity illumination, etc.

Specification

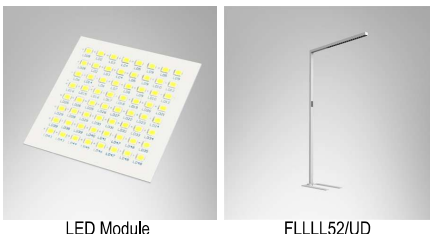
Housing	Extruded aluminium
Description	The Luminarie combined with the concept of indirect/direct lighting distributions
Finishing	Powder coated in grey
Louver	Special micro reflector and anti-glare
Mounting	Desk light
Power	80W
Light Source	LED Module
Colour Temperature	4000/6000K
Luminaire Output	60/20W : 7200/2400 lm
Beam Angle	140/80 Degree
UGR	<12
Control Gear	Built-in driver
Power Supply	220-240VAC, 50Hz
Power Factor	>0,9
Insulation Class	I
IP Rating	20
Luminaire Lifetime	30,000 hrs
Remarks	Pole height can be maximum 1.5 meter.



Ordering Data

Model	Watt
TLL52/UD-60/20LED	80W

Related Products



LED Module

FLL52/UD