

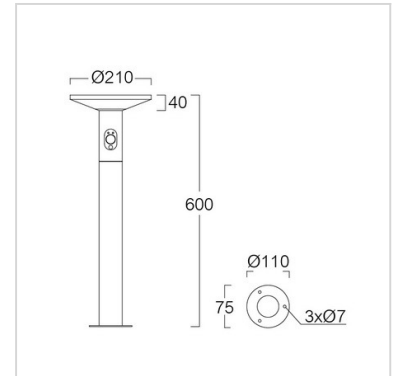
**BLL803**

## Application

Bollard luminaire is designed to illuminate walkways, steps, low planted areas, pedestrian areas, etc.

## Specification

<b>Housing</b>	Die-cast aluminium
<b>Description</b>	Off-grid system (Powered by battery back-up only). 10 hrs. back-up time maximum. 15% light output after sunset 100% light output when movement detected 15% light output when no movement detected.
<b>Finishing</b>	Powder coated in black
<b>Charger</b>	Fully automatic solid stage with constant voltage and limit current charging
<b>Solar Cell</b>	Polycrystalline silicon
<b>Battery</b>	Lithium ion, 3.7V 2200mAh
<b>Lens</b>	Opalescent polycarbonate
<b>Gasket</b>	Silicone rubber
<b>Sensor</b>	Movement detector
<b>Dimension</b>	Dia.210x600 mm.
<b>Mounting</b>	Surface
<b>Power</b>	3W
<b>Source</b>	LED Module
<b>Lamp Colour</b>	3000K
<b>Luminaire Output</b>	150 lm
<b>Beam Angle</b>	Symmetrical medium beam
<b>Control Gear</b>	Built-in driver
<b>IP Rating</b>	55
<b>Luminaire Lifetime</b>	30,000 hrs.
<b>Equivalent</b>	CFL 1x9W



## Ordering Data

Model	Watt
BLL803-3LED	3W

## Related Products



LED-Module

