

# LED Surface Downlight

LUMAX

TS ESC192

## Application

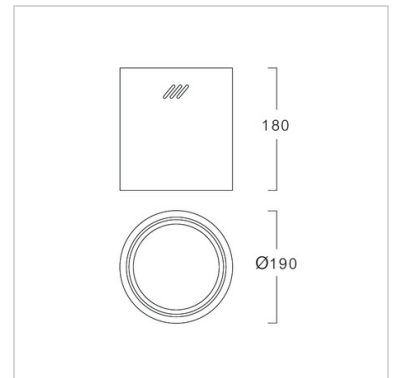
Surface downlight is designed to use for office buildings, shopping centers, convenience stores, modern trade stores, discount stores, hotels, restaurants, residences, recreational centers, museums, etc.

## Specification

<b>Housing</b>	Formed cylindrical painted steel body
<b>Finishing</b>	Powder coated in white or black
<b>Reflector</b>	Anodized aluminium
<b>Diffuser</b>	Clear glass
<b>Mounting</b>	Surface
<b>Power</b>	4-9.5W
<b>Source</b>	LED-BULB
<b>Lamp Holder</b>	E27
<b>Lamp Colour</b>	3000/6500K
<b>Lamp Output</b>	4W:3000/6500K : 350 lm 7W:3000/6500K : 600 lm 9.5W : 3000/4000/6500K : 1050 lm
<b>Power Supply</b>	220V 50Hz
<b>IP Rating</b>	20
<b>Equivalent</b>	CFL 8-18W

## Ordering Data

Model	Watt
ESC192/BK-XXLED BULB E27	-
ESC192/WH-XXLED BULB E27	-



## Related Products



LED-BULB